

To NEW ERA,  
Tomoe evolves CENTRIFUGE!

**TA series**



 **TOMOE Engineering Co.,Ltd.**

**[Head Office]**

Osaki Bright Core, 5-15, Kitashinagawa 5-chome, Shinagawa-ku, Tokyo 141-0001, Japan  
Overseas Sales Dept. +81-3-3442-5157

**[Sagami Factory]**

193 Kamisoyagi, Yamato-shi, Kanagawa-Ken 242-0029, Japan  
+81-46-262-0511

**[Seoul Branch Office]**

810, 8F, Hyoduk Bldg., 32, Euljiro, 1-Ga, Jung-Gu, Seoul, Republic of Korea  
+82-2-737-7540

**[Jakarta Representative Office]**

Wisma KEIAI 17th Fl, Jl. Jenderal Sudirman Kav. 3, Jakarta 10220, Indonesia  
+62-21-572-4187

**[Shanghai Office]**

Room 801, Shanghai Airport City Terminal Bldg., No.1600 West Nanjing Road, Shanghai 200040, People's Republic of China  
+86-21-6249-3535

 **TOMOE Engineering Co.,Ltd.**

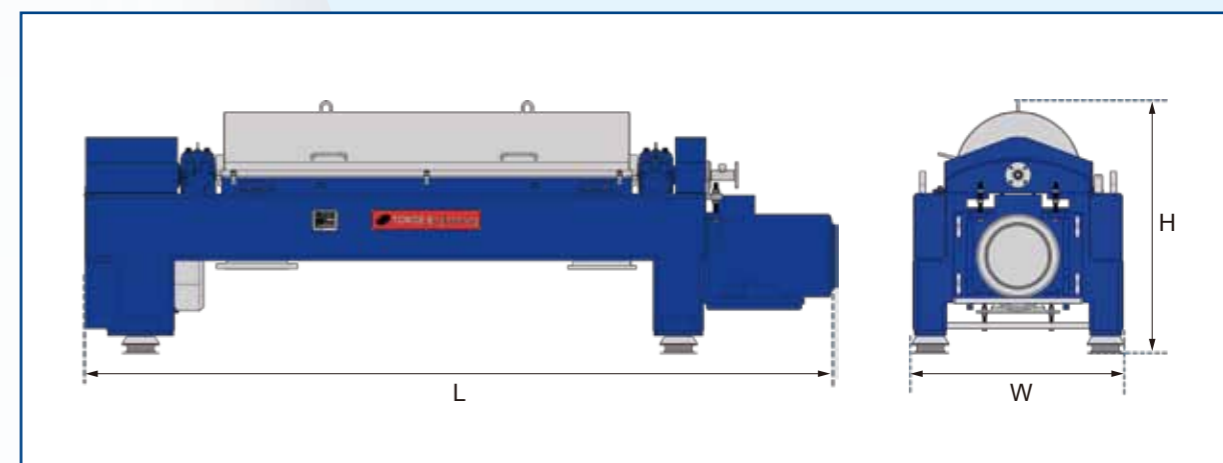
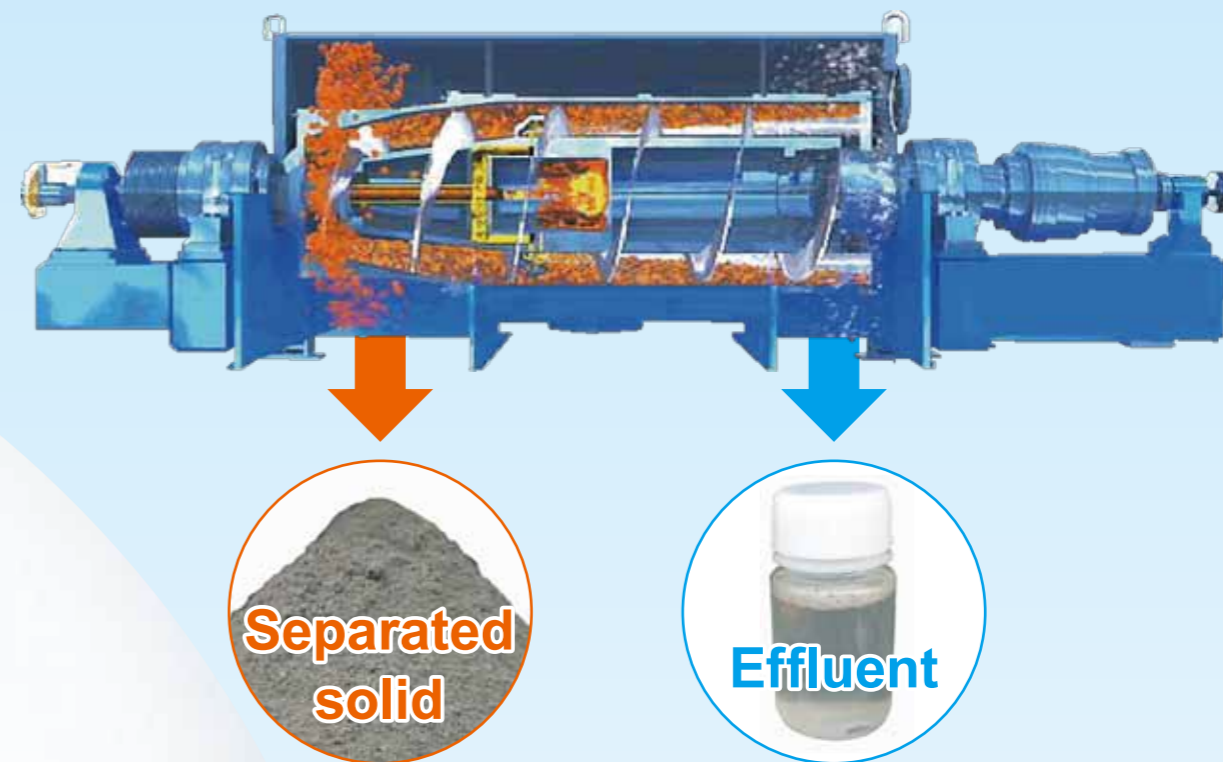
# Evolution named as **TA**

We, Tomoe Engineering, have been advancing centrifuge development and production since 1950.

We produce centrifuges with state-of-the-art technology based on our enhanced know-how, together with organized system for providing elaborate service for installation as well as maintenance, for optimizing ultimate performance of centrifuges.

As our elaborately designed and produced centrifuges that are matched with respective purpose of feed material, volume and processing method have advanced our reputation in various area, we are expanding our business fields not only in Japan but also worldwide.

TA series are evolved and advanced centrifuges in higher torque, energy saving and space saving. TA series can also dedicate for preventing global warming based on technologies of Tomoe's conventional centrifuge DECANter.



**High torque**

**Tomoe's quality**

**Tomoe Advanced**

**Space saving**

**Energy saving**

## ■ Processing ability and specification

Model	Centrifugal force [G]	Feed eate [m <sup>3</sup> /hr]	Main Motor [kW]	Back Drive Motor [kW]	Dimension [mm]			Weight [kg]
					L	W	H	
TA 108	2100	5-10	15	7.5	2700	850	1050	1500
TA 300	2100	8-15	18.5	7.5	3500	1050	1250	1900
TA 430	2100	12-20	30	7.5	3900	1250	1450	2800
TA 450	2100	20-35	37	11	4400	1300	1500	4800
TA 550	2100	30-50	55	15	4800	1400	1750	5700
TA 650	2100	40-60	75	18.5	5300	1400	1750	6400

\*) Specification is subject to change.

\*) Above data will be changed depended on feed material.